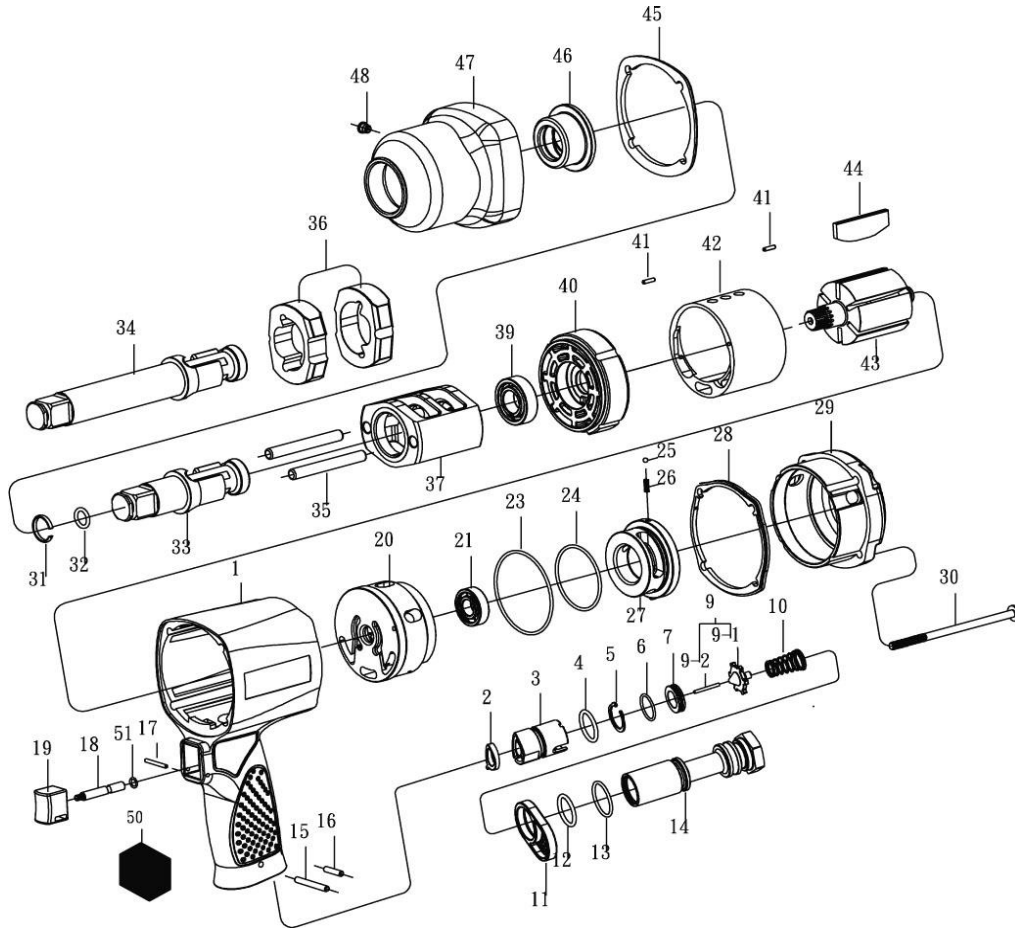


C4111

1" SQ. DR. SUPER DUTY AIR IMPACT WRENCH (W/ 6" ANVIL)-COMPOSIT HOUSING



PARTS LIST

No.	Parts No.	Description	Q'ty
1	C3111-01-CAPS	Motor Housing	1
2	C3111-02	O-Ring	1
3	C3111-03	Guide Tube	1
4	C3111-04	O-Ring	1
5	C3111-05	Retainer	1
6	C3111-06	O-Ring	1
7	C3111-07	Throttle Valve Seat	1
9	C3111-09	Throttle Valve Assembly [Incl. 9-1, 9-2]	1
10	C3111-10	Spring	1
11	C3111-11	Exhaust Deflector	1
12	C3111-12	O-Ring	1
13	C3111-13	O-Ring	1
14	C3111-14A	Air Inlet (PT19)	1
	C3111-14B	Air Inlet (NPT18)	1
15	C3111-15	Spring Pin	1
16	C3111-16	Spring Pin	1
17	C3111-17	Spring Pin	1
19	C3111-19	Trigger Assembly [Incl. 18, 51]	1
20	C3111-20	Rear End Plate	1
21	C3111-21	Ball Bearing	1
23	C3111-23	O-Ring	1
24	C3111-24	O-Ring	1
25	C3111-25	Steel Ball	1
26	C3111-26	Spring	1

No.	Parts No.	Description	Q'ty
27	C3111-27	Reverse Valve	1
28	C3111-28	Gasket	1
29	C3111-29	Backhead	1
30	C3111-30	Screw	4
31	C4111-31	Socket Retainer	1
32	C4111-32	O-Ring	1
33	C4111-33	1" Anvil [ST-C4111]	1
34	C4111-34	1" Anvil 6" Extended [ST-C4111-6]	1
35	C3111-35	Hammer Pin	2
36	C3111-36	Hammer	2
37	C4111-37	Hammer Frame	1
39	C3111-39	Ball Bearing	1
40	C3111-40	Front End Plate	1
41	C3111-41	Spring Pin	2
42	C3111-42	Cylinder	1
43	C3111-43	Rotor	1
44	C3111-44	Rotor Blade	6
45	C3111-45	Gasket	1
47	C4111-47	Hammer Case Assembly [Incl. 46, 48]	1
50	C3111-50	Muffler Element	1
51	C3111-51	O-Ring	1
C4111-TK		Tune-Up Kit [Incl. 4, 6, 10, 12, 13, 21, 23, 24, 25, 26, 28, 31, 32, 39, 44(6), 45, 50, 51]	1